

INV2000 Inverter Generator



1800 W Running | 2250 W Starting

Features

- Super quiet - meets National Park Service campground requirements
- Safety compliant for worksite use (OSHA compliant)
- DOUBLE your power by paralleling with another INV2000
- Clean, regulated A/C power for sensitive electronics (<3% THD)
- 2x USB Ports, including a 2.1 Amp port for charging your tablet
- Engine is EPA Certified to last 20% longer than the competition



Control Panel



INV2000 Inverter Generator



Specifications

ENGINE	
Starting Method	Recoil
Run Time @ 50% Load	6 hrs
Idle Control	Engine Smart Control (ESC)
Fuel Tank Nominal Capacity	1 gal / 4 L
Fuel Tank Material	Plastic
Fuel Type	Gasoline
Fuel Gauge	Dial Gauge
Engine Displacement	79.7 cc
Engine Type	OHV
Engine Speed	Variable RPM
Lubrication Method	Splash
Recommended Oil	SAE 30 / 10W-30
Oil Capacity	0.4 qt / 0.380 L
Emission Certification(s)	EPA, CARB, CSA
Shutdown Method	Automatic Low Oil Level

ELECTRICAL	
Running Power	1800 Watts
Starting Power	2250 Watts
AC Output	120V @ 60 Hz
DC Output	12V (8.3A) / 5V (2.1A)
Total Harmonic Distortion (THD)	< 3%
Receptacles	2 x 5-20R GFCI, 1 x 5V 2.1A USB, 1 x 5V 1.0A USB, 1 x DC 12V 8/3A
Automatic Voltage Regulation (AVR)	Yes
Battery Type	-

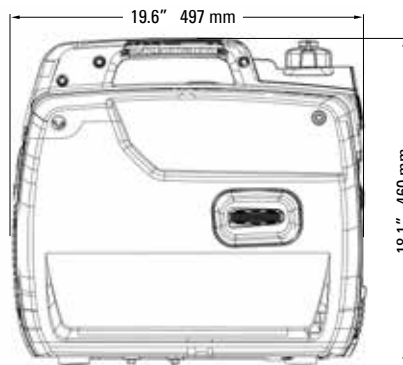
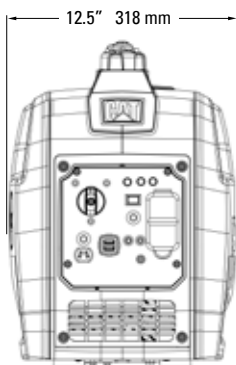
EXTRA FEATURES	
Illuminated Control Panel	Yes
Handle Style	Integrated
Wheel Type	-
Indicator Lights	Low Oil and Overload
USB	1 x 1.0A 5V and 1 x 2.1A 5V

WARRANTY Standard 2-year limited, extended 3-year limited when registered within 30 days

Dimensions and Weights

ASSEMBLED	
Height	18.1 in / 460 mm
Width	19.6 in / 497 mm
Length	12.5 in / 318 mm
Extended Length	-
Unit Weight	48.8 lbs / 22.1 kg

CARTON	
Height	21.5 in / 545 mm
Width	24.0 in / 610 mm
Length	16.0 in / 406 mm
Shipping Weight	57.3 lbs / 26 kg



Accessories

Parallel Kit - INV2000 (530-1202)



INV2000 Protective Cover (517-9207)



INV2000 Service Kit (517-9208)



CATERPILLAR®

© 2017 Caterpillar. All Rights Reserved.
CAT, CATERPILLAR, their respective logos, "Caterpillar Yellow," the "Power Edge" trade dress, as well as corporate and product identity used herein, are trademarks of Caterpillar and may not be used without permission.



For more information:
cat.com/homeandoutdoorpower

LEHQ0060-00